

BUILT-IN REF. DISPLAY CASE INS. GLASS



Highlights



SOFT-OPEN



ENERGY-EFFICIENT



EASY-CLEAN



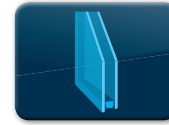
INDIVIDUAL DESIGN



LED LIGHTING



HIGH-QUALITY MATERIALS



INSULATING GLASS

TECHNICAL DESCRIPTION

- Customer side: panoramic window made of insulating glass. Operator side: sliding doors made of insulating glass.
- Fully automatic defrosting and condensate evaporation for self-contained models.
- Side windows made of insulating glass. Intermediate shelf and base decks also made of insulating glass - adjustable height and incline.
- Drain required on-site for remote refrigeration or a condensate tray as an option.

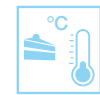
SELF-CONTAINED

Model	Type	Item No.	Price
curved	Green GR-80-54-E	350 350	5.660,-
	Green GR-112-54-E	350 351	6.700,-
	Green GR-145-54-E	350 352	8.060,-
pro-curved	Green GR-80-54-E PRO	353 350	6.112,-
	Green GR-112-54-E PRO	353 351	7.237,-
	Green GR-145-54-E PRO	353 352	8.704,-
pro-squared	Green GE-80-54-E PRO	354 050	5.833,-
	Green GE-112-54-E PRO	354 051	6.904,-
	Green GE-145-54-E PRO	354 052	8.306,-
squared	Green GE-80-54-E	351 050	5.400,-
	Green GE-112-54-E	351 051	6.393,-
	Green GE-145-54-E	351 052	7.691,-

REMOTE REFRIGERATION

Type	Item No.	Price
Green GR-80-54-Z	350 355	4.373,-
Green GR-112-54-Z	350 356	5.370,-
Green GR-145-54-Z	350 357	6.567,-
Green GR-80-54-Z PRO	353 355	4.722,-
Green GR-112-54-Z PRO	353 356	5.800,-
Green GR-145-54-Z PRO	353 357	7.092,-
Green GE-80-54-Z PRO	354 055	4.507,-
Green GE-112-54-Z PRO	354 056	5.534,-
Green GE-145-54-Z PRO	354 057	6.768,-
Green GE-80-54-Z	351 055	4.174,-
Green GE-112-54-Z	351 056	5.124,-
Green GE-145-54-Z	351 057	6.267,-

TEMPERATURE RANGE

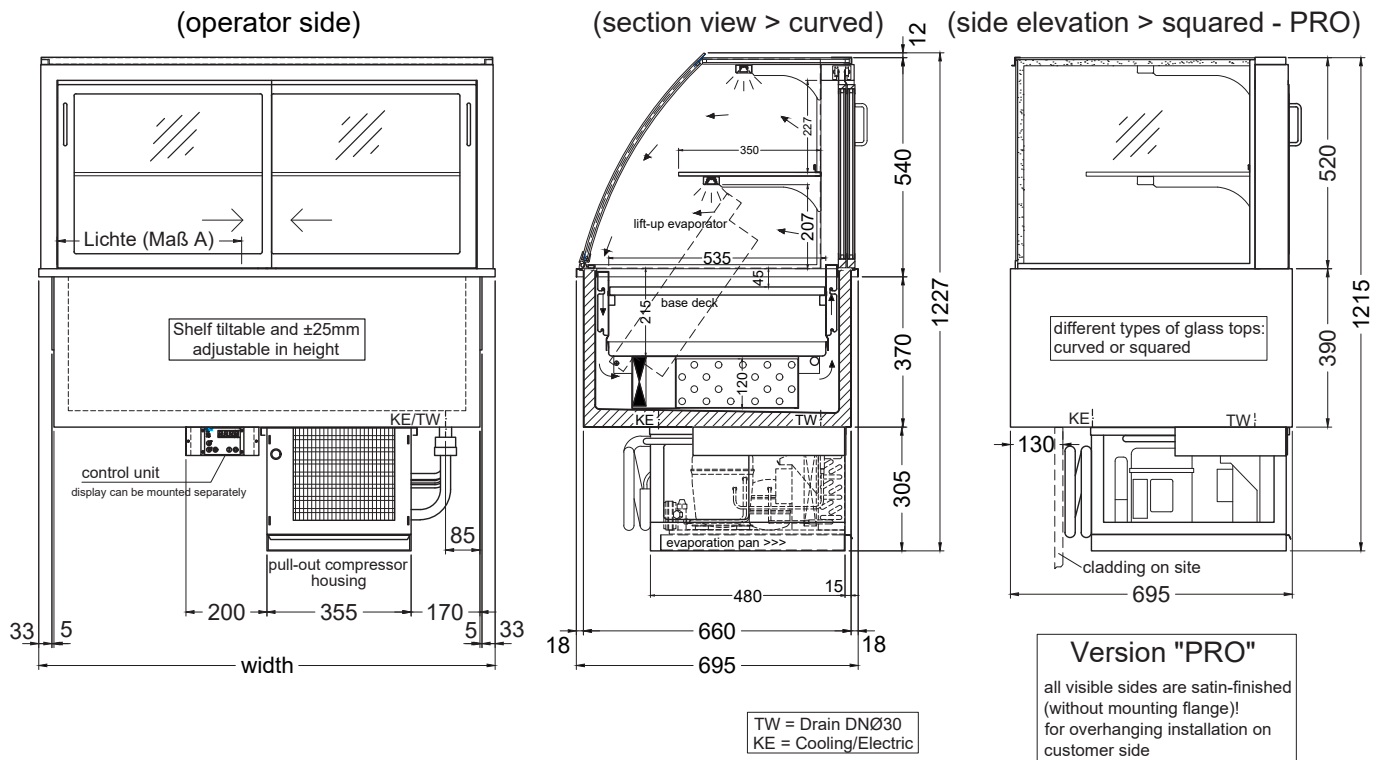
Air
+2 °CProduct
M1: -1 °C to
+5 °CSurroundings
+25 °C and max.
60% RH

Symbol photo: model curved

ACCESSORIES AND OPTIONS

Electrical condensate evaporation tray (300 W)	190 215	271,-
Energy-optimised design for evap. @ -6 °C (only for remote refrigerated models)		on request
Flat inner well (35 mm deep)		no surcharge
Hinged or sliding doors in a mirrored design		on request
Price tag holders	per linear metre	303 899
Condensate tray for emptying	253 655	85,-

SELF-CONTAINED [remote refrigerated = w/o condensing unit]



TECHNICAL DATA

Dimensions in mm	GREEN G-80-54	GREEN G-112-54	GREEN G-145-54
SELF-CONTAINED			
Outside dimension width x depth x height	800 x 695 x 540	1125 x 695 x 540	1450 x 695 x 540
Pro-version outside dimension width x depth x height	790 x 695 x 540	1115 x 695 x 540	1440 x 695 x 540
Inner well width x depth x height	655 x 535 x 215	980 x 535 x 215	1305 x 535 x 215
Installation opening width x depth	740 x 670	1065 x 670	1390 x 670
Opening clearance	295	455	620
Presentation area in m ²	0,60	0,90	1,20
Air temperature range		+2 °C	
Refrigeration capacity evap. @ - 10 °C	350 W	420 W	480 W
Refrigerant		R134a	
Power input	400 W	577 W	601 W
Energy consumption / 24h	4,61 kWh	6,65 kWh	6,92 kWh
Voltage		230 V 50 Hz	
REMOTE REFRIGERATION			
Outside dimension width x depth x height	800 x 695 x 540	1125 x 695 x 540	1450 x 695 x 540
Pro-version outside dimension width x depth x height	790 x 695 x 540	1115 x 695 x 540	1440 x 695 x 540
Inner well width x depth x height	655 x 535 x 215	980 x 535 x 215	1305 x 535 x 215
Installation opening width x depth	740 x 670	1065 x 670	1390 x 670
Opening clearance	295	455	620
Presentation area in m ²	0,60	0,90	1,20
Air temperature range		+2 °C	
Refrigeration capacity evap. @ - 10 °C	350 W	420 W	480 W
Refrigerant		R134a	
Power input	85 W	107 W	131 W
Voltage		230 V 50 Hz	